

---

ACCESS SERVICE

---

18. Grandfathered Services

18.1 General

Grandfathered services are tariff offerings which are limited to existing customers and are not available to new customers. The services listed in this section are shown to be grandfathered or limited to existing service provided to existing customers. Existing service is service that was in place prior to the service being grandfathered. Existing customers are those customers who were already subscribing to a service prior to the service being grandfathered.

New customers are not eligible to subscribe to a grandfathered service. This includes previously grandfathered customers who have for any reason discontinued their grandfathered service.

18.2 Digital Subscriber Line (DSL) Service

Existing customers as of April, 2002 will be allowed to retain their service at the same rates listed in Section 18.2.7. Customers on a grandfathered month to month rate may keep their month to month rates but may not convert to a grandfathered term payment plan. Customers on a grandfathered term payment plan may stay on their plan until its expiration. At that time, the service being grandfathered must be changed to a month to month grandfathered service, discontinued, or upgraded to a current ADSL offering.

Grandfathered DSL services will remain grandfathered indefinitely.

Grandfathered DSL service is available only in the quantity in service at the time of grandfathering. Once the grandfathered DSL service is terminated, the service will no longer be available to that customer.

Grandfathered DSL service is limited to the locations in service at the time of grandfathering. Grandfathered DSL service may not be moved to a different location. If the customer wishes to move his DSL service to a different location, he must discontinue the grandfathered DSL service at the existing location and obtain a currently offered ADSL service at the new location.

---

ACCESS SERVICE

---

18. Grandfathered Services (Cont'd)

18.2 Digital Subscriber Line (DSL) Service (Cont'd)

18.2.1 General

Digital Subscriber Line Service (DSL) is a high-speed data access service that uses asymmetrical digital subscriber line technology.

18.2.2 Definitions

- (A) Downstream: the transmission path from the Company's DSL Service Node to the customer's designated premises.
- (B) Asymmetric Digital Subscriber Line (ADSL): an access technology that enables data to be sent over existing copper facilities.
- (C) DSL Service Node: a location designated by the company that serves as an aggregation point for the collection and transport of DSL traffic.
- (D) Upstream: the transmission from the customer's designated premises to Company's DSL Service Node.

18.2.3 Service Description

- (A) DSL is an access service that uses ADSL technology. Data traffic generated by a customer provided modem is transported to the DSL Service Node. From there, the traffic is transported to the customer's service provider.
  - (1) DSL service can also be offered using microfilters. When microfilters are used, a splitter is not required at the customer premises. Instead of the splitter being installed by a technician, customers self-install in-line and wall mount microfilters on each phone line that has the same phone number as the DSL service.

## ACCESS SERVICE

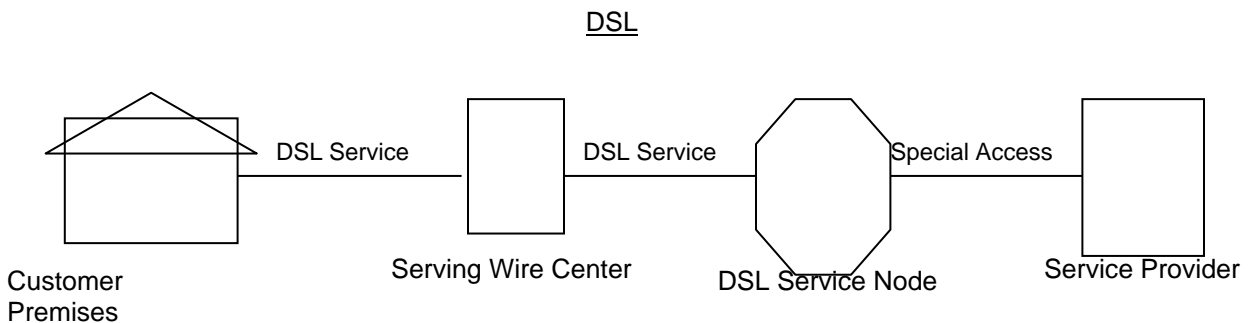
18. Grandfathered Services (Cont'd)18.2 Digital Subscriber Line (DSL) Service (Cont'd)18.2.3 Service Description (Cont'd)

(B) Five types of DSL service are available based on the upstream and downstream at speed combinations selected by the customer:

- (1) 256 Kbps downstream and 64 Kbps upstream
- (2) 384 Kbps downstream and 128 Kbps upstream
- (3) 512 Kbps downstream and 128 Kbps upstream
- (4) 768 Kbps downstream and 384 Kbps upstream
- (5) 1.5 Mbps downstream and 512 Kbps upstream

The data speeds listed above are maximum speeds. Actual speeds may be lower due to the impact of loop distance, modem technology and other factors. Therefore, these data speeds are not guaranteed.

(C) The following diagram provides a generic view of the components of DSL Service, and the manner in which the components are combined to provide a complete service connection, which includes at least one potential service provider arrangement.



ACCESS SERVICE

---

18. Grandfathered Services (Cont'd)18.2 Digital Subscriber Line (DSL) Service (Cont'd)18.2.4 Terms and Conditions

- (A) The Company will provision and maintain DSL Service from the DSL Serving Node to the network interface device (NID) at the customer's designated premises. The customer is responsible for obtaining compatible customer equipment.
- (B) The customer will provide the Company with the necessary information (e.g., customer name and address, service address, serving area, etc.) to provision DSL Service.
- (C) DSL Service will be provisioned over existing Company copper Facilities.
- (D) The Company will qualify copper facilities to determine the suitability of such facilities for DSL Service. The Company will not provide DSL Service on copper facilities that are not suitable for the Service.
- (E) The Company will not provide DSL Service if it determines such provision will cause interference with other services.
- (F) DSL Service will be provided subject to availability and limitations of Company's wire centers and outside plant facilities. A list of wire centers capable of providing DSL Service is set forth in subsection 17.3.5 following.
- (G) The Company reserves the right to temporarily interrupt DSL Service for wire center maintenance, software updates and emergency situations.

18.2.5 Service Deployment

Service is currently available in the following Market Areas: Blooming Prairie, MN; Byron, MN; Cannon Falls, MN; Milaca, MN (except Garrison, Isle, and Malmo exchanges which will be available by 11/30/01); Mound, MN; Wyoming, MN; Columbus, NE; Kearney, NE; Gloversville, NY; Middletown, NY; Norwich, NY (except for Berkshire, Clayville, Dryden, Etna, and Slayterville Springs exchanges which will be available by 11/30/01); Cookville, TN; Bluefield, WV; Romney, WV (except for Augusta, Burlington, Capon Bridge, Fort Ashby, Maysville, Paw Paw and Wardensville exchanges which will be available by 11/30/01); Kingman, AZ; Colusa, CA; Elk Grove, CA; Susanville, CA (except for Chester, Lake Almanor, and Shingletown exchanges which will be available by 11/30/01); Ely, MN; International Falls, MN; Rhinelander, WI; Rhinebeck, NY; Powell, TN; Show Low, AZ; St. Michaels, AZ; Elko, NV; and Moab, UT.

(D)

---

ACCESS SERVICE

---

18. Grandfathered Services (Cont'd)18.2 Digital Subscriber Line (DSL) Service (Cont'd)18.2.6 Rate Regulations

- (A) A recurring monthly rate, as shown in Section 18.2.7 of this tariff, is charged for service.
- (B) A nonrecurring charge, as shown in Section 18.2.7 of this tariff, applies for installation of service at the central office, as well as, for the processing of the service order request.
- (C) A nonrecurring charge, as shown in Section 20 of this tariff, applies for the installation equipment at the NID on the customer's designated premise.
- (D) Term Payment Plan – DSL (TPP - DSL)

(1) Description

The terms and conditions specified herein are applicable to DSL Service and are in addition to other regulations as specified in this tariff. The DSL Term Payment Plan (TPP - DSL) will allow customers discounted access rates based upon their term commitment. Rates will be based upon the TPP - DSL selected by the customer.

A term payment plan of one (1) year is available to all customers at applicable rates set forth in Section 18.2.7 of this Tariff, regardless of when the subscription is made for a DSL Service TPP - DSL arrangement. The customer must designate on the order the type of payment plan selected.

---

ACCESS SERVICE

---

18. Grandfathered Services (Cont'd)18.2 Digital Subscriber Line (DSL) Service (Cont'd)18.2.6 Rate Regulations (Cont'd)(D) Term Payment Plan – DSL (TPP - DSL) (Cont'd)(2) Rate Application

Upon expiration of the TPP - DSL period, the customer may choose a new TPP – DSL period, convert to month-to-month, or terminate service. The month-to-month rates will be those that are in effect at the time of conversion, as found in Section 18.2.7 of this tariff. If the customer fails to make a choice by the end of the TPP - DSL period, the DSL Service will continue billing at the existing term commitment level rates and a new TPP – DSL period will begin based on the previously effective term commitment. All terms and conditions, including Termination Liabilities will apply to the new TPP – DSL period.

Conversion to a month-to-month or different TPP period will require the customer to submit a change order. Conversion of existing TPP service to a different TPP period will be allowed without application of any nonrecurring charges.

(3) Changes in Length of TPP - DSL Period

The customer may elect to convert to a new TPP – DSL period subject to the following conditions:

- (a) Credit will not be given toward the new payment period for payments made under the original TPP - DSL arrangement.
- (b) Nonrecurring charges will not be reapplied for existing service(s).
- (c) If the new TPP – DSL period is shorter in length than the time remaining under the existing TPP - DSL, the change to the new TPP - DSL period constitutes a discontinuance of the existing TPP - DSL service and termination liability charges apply.

---

ACCESS SERVICE

---

18. Grandfathered Services (Cont'd)18.2 Digital Subscriber Line (DSL) Service (Cont'd)18.2.6 Rate Regulations (Cont'd)(D) Term Payment Plan – DSL (TPP - DSL) (Cont'd)(4) Changes in Service Type

The customer may increase the bandwidth of his/her Service Type (e.g., increasing bandwidth from 256 Kbps/64 Kbps to 512 Kbps/128 Kbps) by notifying the Company in writing of the new election. The increased bandwidth will be provided at the applicable price for the duration of the term committed to by the customer in a TPP - DSL for the lower bandwidth service. The customer may not decrease the bandwidth in his/her TPP - DSL.

(5) Rate Changes

The customer may terminate the TPP - DSL without penalty or liability should the Company increase the rates above the current rates by more than 50 %. The exception to this provision are rate changes, fees, taxes, or contributions to universal service funding that are mandated by the Federal Communications Commission.

(6) Termination Liability

When a TPP - DSL service is discontinued prior to the end of the commitment period, termination liability charges will apply, as follows: the customer will pay the Company an amount representing the difference between charges paid to the Company pursuant to the TPP - DSL and what the charges would have been for the same period of time at the monthly rate applicable to the Service Type specified in the TPP – DSL. To the extent that applicable nonrecurring charges were waived as part of a promotion, customer will also pay the Company an amount equal to those waived nonrecurring charges.

(E) “Grandfathered” customers

Customers currently being provided DSL service in the Middletown, NY serving area will be offered the opportunity to retain their service under the current terms, conditions and rates. These customers will be “grandfathered” with the old service which may not be moved or transferred to another customer.

## ACCESS SERVICE

18. Grandfathered Services (Cont'd)18.2 Digital Subscriber Line (DSL) Service (Cont'd)18.2.7 Rates and ChargesGrandfathered DSL Service

<u>Service Type</u>	<u>Monthly Rate</u>	<u>Nonrecurring Charge</u>
256 Kbps/64 Kbps	\$39.95	\$99.00*
384 Kbps/128 Kbps	\$39.95	\$99.00*
512 Kbps/384 Kbps	\$59.95	\$99.00*
768 Kbps/384 Kbps	\$149.95	\$99.00*
1.5 Mbps/512 Kbps	\$304.95	\$99.00*

Premises Visit Charge

Per Visit	\$16.00
-----------	---------

Term Payment Plan for DSL (TPP – DSL)

256 Kbps/64 Kbps	\$39.95	\$99.00*
384 Kbps/128 Kbps	\$39.95	\$99.00*
512 Kbps/384 Kbps	\$59.95	\$99.00*
768 Kbps/384 Kbps	\$149.95	\$99.00*
1.5 Mbps/512 Kbps	\$229.95	\$99.00*

\* The Nonrecurring Charge is waived for customers who sign a One Year Contract or for customers who select the Microfilter Self-Installation Option.



---

ACCESS SERVICE

---

18. Grandfathered Services (Cont'd)18.3 Asymmetrical Digital Subscriber Line (ADSL) Service

This offering applies to services in place as of December 31, 2005 and to additions to such existing service for the same customer at the same location. Rates for these services are listed in Section 18.3.10.

18.3.1 General

Asymmetrical Digital Subscriber Line (ADSL) service provides high speed transmission service over existing loop facilities which are also used to provision the customer's local exchange service. The regulations and rates specified herein are in addition to the regulations and rates specified in other sections of this tariff.

18.3.2 Service Description

This section contains the rules and regulations pertaining to the provision of Asymmetrical Digital Subscriber Line (ADSL) service. ADSL service is an access data technology offering. ADSL service is offered at varying nominal speed levels for downstream and upstream data transmission, as listed in Section 18.3.7. The upstream speed represents transmission speed from the customer-designated premise (CDP) to the Telephone Company's DSL Service Node, while the downstream speed represents transmission speed from the Telephone Company's DSL Service Node to the CDP. The DSL Service Node is the aggregation point designated by the Telephone Company for connecting multiple Telephone Company serving wire centers of ADSL service to other Telephone Company provided network interface services.

ADSL Service consists of ADSL Channels, which connect a customer designated premises to the DSL Service Node; DSL Interface Access Service (as described in Section 17.4), which allows the aggregation of traffic from multiple ADSL Channels onto the same facility; and Permanent Virtual Circuits (PVCs), which define logical connections between ADSL Channels and DSL Interface Access Service. While the Telephone Company envisions that ADSL Channels and PVCs will generally be purchased by end users and DSL Interface Access Service will generally be purchased by Internet Service Providers (ISPs), there is no restriction as to what type of customer may order the various rate elements. Use of the terms "end user customer" to mean the customer purchasing the ADSL Channel and "ISP customer" to mean the customer purchasing the DSL Interface Access Service are meant only to clarify rate relationships and are not meant to limit customer choices.

When a service is ordered under a term payment plan, the regulations in Section 18.3.8 will apply to the discontinuation of such service.

---

ACCESS SERVICE

---

18. Grandfathered Services (Cont'd)

18.3 Asymmetrical Digital Subscriber Line (ADSL) Service (Cont'd)

18.3.3 ADSL Channel

The ADSL Channel is provisioned over existing Telephone Company copper facilities and transported to the Telephone Company's backbone network. The ADSL Channel provides a connection from the CDP to the DSL Service Node.

ADSL is available utilizing the same copper facilities as the basic local exchange service, utilizing the same copper facilities as other tariffed facilities, or on a stand-alone basis utilizing separate facilities.

ADSL service is not dependent on the grade of local exchange service, i.e. any package of ADSL service may be ordered by either residential or business local subscribers.

The Telephone Company will qualify the ADSL Service between the CDP and the serving wire center. The purpose of qualification is to determine the availability and suitability of existing Telephone Company copper facilities to provide the service. The Telephone Company will not provision this service on facilities that are not suitable for ADSL. See Section 18.3.5 following.

ADSL will be provided subject to the availability and limitation of Telephone Company wire centers and outside plant facilities and is only available where technical capabilities permit. Downstream data rates depend on a number of factors, including but not limited to (1) the distance from the CDP to the serving wire center, (2) the type of loop facility, and (3) the physical plant.

Each customer must select one Permanent Virtual Circuit (PVC) to be associated with the ADSL Channel. Each PVC represents a virtual connection between the ADSL Channel and a DSL Interface Access Service.

The Telephone Company does not undertake to originate data, but offers the use of its service components, where available, to customers for the purpose of transporting customer-originated data.

Rates for ADSL Channels are found in 18.3.10 following.

---

ACCESS SERVICE

---

18. Grandfathered Services (Cont'd)

18.3 Asymmetrical Digital Subscriber Line (ADSL) Service (Cont'd)

18.3.4 Responsibility of the Telephone Company

The Telephone Company will provision and maintain ADSL service for the customer from the Network Interface Device (NID) to the DSL Service Node. The Telephone Company will advise the end user customer of the equipment necessary to support ADSL service.

18.3.5 Rights of the Telephone Company

The Telephone Company will not provision ADSL service if the Telephone Company reasonably determines that (a) it is not technically feasible over existing facilities, or (b) it will cause interference problems with existing services.

Equipment at the Customer Designated Premises must meet Telephone Company specifications.

During the Telephone Company's network maintenance and software update periods, it may be necessary to place the ADSL wire center out of service. The Telephone Company reserves the right to temporarily interrupt ADSL Service at other times in emergency situations.

18.3.6 Responsibility of the Customer

The end user customer is responsible for providing compatible Customer Premises Equipment (CPE) that is used for connection to ADSL service.

The customer ordering ADSL Channel Service on behalf of its subscriber(s) must obtain a letter of agency. The customer will be responsible for obtaining permission from its subscriber(s) for the Telephone Company's agents or employees to enter the customer's designated locations at a reasonable hour for the purpose of installing, inspecting, repairing, or upon termination of the service, removing the service components of the Telephone Company.

## ACCESS SERVICE

18. Grandfathered Services (Cont'd)18.3 Asymmetrical Digital Subscriber Line (ADSL) Service (Cont'd)18.3.7 Rate Elements

Monthly recurring charges apply for ADSL service, and nonrecurring charges apply to installation of the service. A nonrecurring charge is also applicable when making changes, i.e., bandwidth, access provider, or move.

ADSL service is available in service level packages, and is based on the downstream and upstream speeds chosen by the customer. Service level packages are defined by the downstream and upstream speeds. Currently available service level packages are:

Package	Downstream	Upstream
ADSL Class R1	256 Kbps	128 Kbps
ADSL Class R2	1.0Mbps	128 Kbps
ADSL Class R7	768 Kbps	256 Kbps
ADSL Class B1	512 Kbps	256 Kbps
ADSL Class B2	1.0 Mbps	512 Kbps
ADSL Class B3	2.0 Mbps	512 Kbps

Data speeds set forth above are nominal peak speeds. Actual speeds may be affected by loop distance and other factors, and are not guaranteed. Where technically feasible, the Telephone Company may, at its sole discretion, support speeds in excess of the nominal peak speed.

---

ACCESS SERVICE

---

18. Grandfathered Services (Cont'd)18.3 Asymmetrical Digital Subscriber Line (ADSL) Service (Cont'd)18.3.8 Term Payment Plans and Early Termination Liabilities

ADSL service is offered under term payment plans as well as month to month service. For month to month service, the minimum service period is one month. When a service is ordered under a term payment plan, the minimum service period will be the term specified under the term payment plan ordered. If the customer discontinues service prior to the end of the minimum service period, the customer will pay the Company an early termination liability. The early termination liability is computed according to the regulations in Section 7.2.7 of this tariff.

Upon expiration of the term payment plan, the customer may choose a new term payment plan, convert to month to month service, or terminate service. If the customer fails to make a choice by the end of the term payment plan, a new term payment plan will begin based on the previously effective term commitment. All terms and conditions, including termination liabilities, will apply the new term payment plan. Conversion to month to month or different term payment plan will require the customer to submit a change order. Conversion of existing term service at the end of its term to a different term or to month to month will be allowed without application of any nonrecurring charges.

The customer may elect to convert to a new term payment plan before the end of the minimum service period, subject to the following conditions: Credit will not be given toward the payment period for payments made or time elapsed under the existing term payment plan. If the new term payment plan period is longer than the time remaining under the existing term payment plan, nonrecurring charges will not be reapplied for existing services. If the new term payment plan is shorter than the time remaining under the existing term payment plan, the change constitutes a discontinuance of the existing service and termination liabilities will apply.

18.3.9 Changes in Service Type

The customer may increase the bandwidth of his ADSL service by notifying the Company in writing of the new election. The increased bandwidth will be provided at the applicable price for the duration of the minimum service period committed to under a term payment plan for the lower bandwidth service. Nonrecurring charges and early termination liabilities will not apply to increases in bandwidth.

A decrease in bandwidth constitutes a discontinuance of existing service and initiation of new service. Termination liabilities for the discontinuation will apply if the change is made before the end of the minimum service period.

## ACCESS SERVICE

18. Grandfathered Services (Cont'd)18.3 Asymmetrical Digital Subscriber Line (ADSL) Service (Cont'd)18.3.10 Rates and Charges for Grandfathered ADSL Service

<u>Service Type*</u>	<u>Monthly Rate</u>	<u>Nonrecurring Charge</u>
ADSL Channel, Class R1	\$19.95	\$0.00
ADSL Channel, Class R2	\$29.95	\$0.00
ADSL Channel, Class R7	\$29.95	\$0.00
ADSL Channel, Class B1, Month to Month Rates	\$75.00	\$0.00
ADSL Channel, Class B1, 12 Month Term Plan	\$63.00	\$0.00
ADSL Channel, Class B1, 24 Month Term Plan	\$59.00	\$0.00
ADSL Channel, Class B1, 36 Month Term Plan	\$55.00	\$0.00
ADSL Channel, Class B2, Month to Month Rates	\$130.00	\$0.00
ADSL Channel, Class B2, 12 Month Term Plan	\$110.00	\$0.00
ADSL Channel, Class B2, 24 Month Term Plan	\$103.00	\$0.00
ADSL Channel, Class B2, 36 Month Term Plan	\$96.00	\$0.00
ADSL Channel, Class B3, Month to Month Rates	\$205.00	\$0.00
ADSL Channel, Class B3, 12 Month Term Plan	\$174.00	\$0.00
ADSL Channel, Class B3, 24 Month Term Plan	\$163.00	\$0.00
ADSL Channel, Class B3, 36 Month Term Plan	\$153.00	\$0.00

\*For downstream and upstream transmission speeds, refer to Section 18.3.7 of this tariff.

---

ACCESS SERVICE

---

18. Grandfathered Services (Cont'd)

18.4 Digital Subscriber Line (DSL) Interface Access Service

This offering applies to services in place as of December 31, 2005 and to additions to such services for the same customer at the same location. Rates for these services are listed in Section 18.4.4.

18.4.1 General

Digital Subscriber Line (DSL) Interface Access Service provides Customers such as ISPs (Internet Service Providers) or NSPs (Network Service Providers) the ability to access the Telephone Company's Asymmetrical Digital Subscriber Line (ADSL) end-users and to utilize other compatible applications. The regulations and rates specified herein are in addition to the applicable regulations and rates specified in other sections of this tariff.

18.4.2 Service Description

Digital Subscriber Line (DSL) Interface Access Service is an access data technology that uses ATM, Frame Relay or Ethernet 10/100baseT. Frame Relay and ATM Protocols can be delivered via unchannelized DS-1 or DS-3. With Ethernet (10/100baseT), the service will be delivered through Ethernet cabling. All of the aforementioned technologies enable the customer to interface into the Telephone Company's ADSL network or other compatible applications. This service is only available in selected service areas.

Digital Subscriber Line (DSL) Interface Access Service provides the customer with a connection into the network connection point within the Telephone Company's main Data--POP within each individual ADSL market area. Customers must order Special Access service between their network interface and the Main Data--POP from the Telephone Company, as specified in Sections 5 and 7 of this tariff.

Rates for DSL Interface Access Service are found in Section 18.4.4 following.

## ACCESS SERVICE

18. Grandfathered Services (Cont'd)18.4 Digital Subscriber Line (DSL) Interface Access Service (Cont'd)18.4.3 Responsibility of the Customer

- (A) The customer is responsible for providing the Telephone Company with the necessary information (e.g., Protocol (ATM, Frame Relay, or Ethernet) Permanent Virtual Circuit; and/or Internet Protocol) to enable the provisioning of the end-user's service.
- (B) The Customer is responsible for ordering transport between the Company's network interface (e.g., DSL Network Interface) and the Customer's network interface. Additionally, the Customer is responsible for providing compatible equipment to connect to Digital Subscriber Line (DSL) Interface Access Service.
- (C) If Ethernet is used the customer must be within 300 feet of the connection due to technical limitations of the Ethernet technology.

18.4.4 Rates and Charges for Grandfathered DSL Interface Access Service

		<u>Monthly Rate</u>	<u>Nonrecurring Charge</u>
(A)	Per DS1-Connection	\$225.00	\$170.00
(B)	Per DS-3 Connection	\$1,400.00	\$600.00
(C)	Per Ethernet 10/100baseT Connection (Including cabling up to 300 feet)	\$700.00	\$400.00